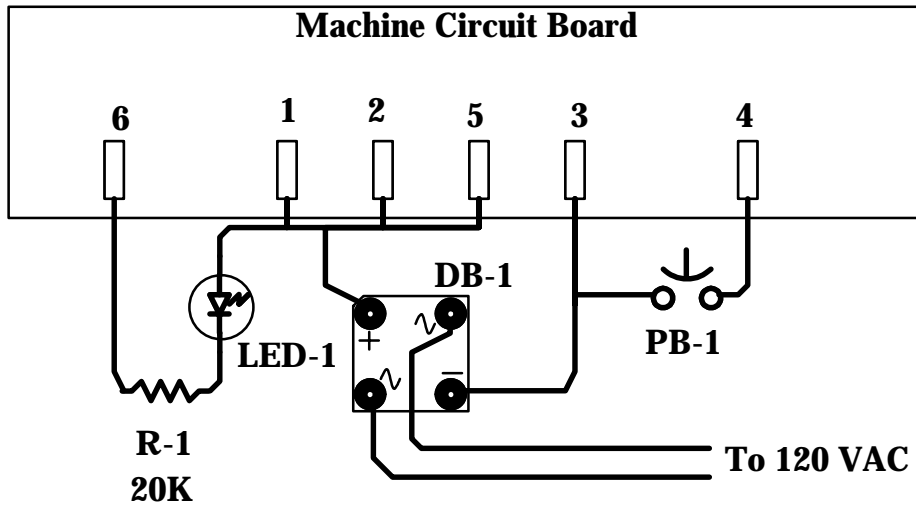


Testing connections for Pipeliner machine circuit board



Connect board as shown.

Apply 120 volts to circuit

Press PB-1 and LED-1 should light. Release PB-1 and LED-1 should extinguish.

If LED-1 is either on all of the time or remains off during the test the circuit board is defective and must be repaired.